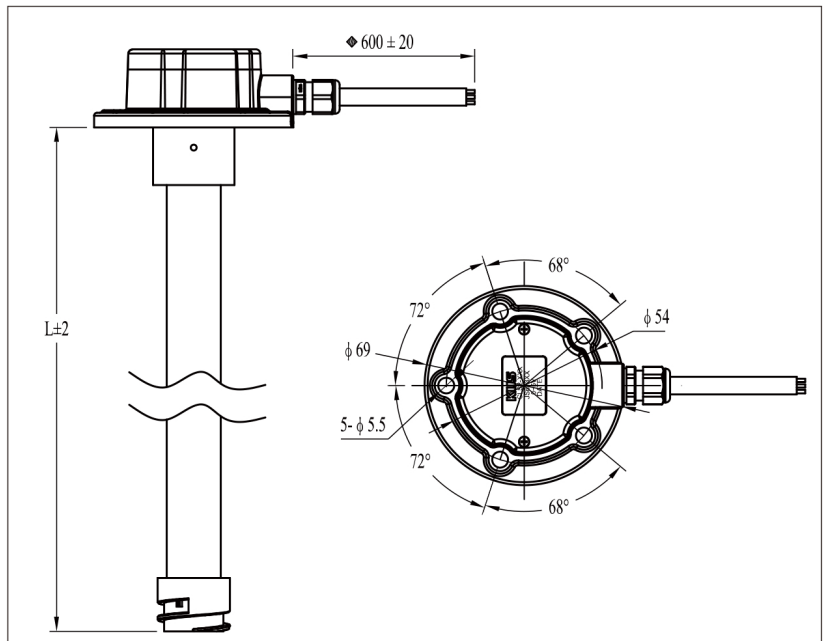


High Resolution Capacitance Level Sensors



- The capacitance level sensor, CLS, is used to continuously detect fuel level by measuring the capacitance variations as the level changes.
- CLS can be easily shortened to fit different tank depths in the field, and the parameters can be conveniently calibrated with an external calibrator;
- Assembly: SAE 5-bolt flange mount, other assembly methods are available;
- Accessories: 5 x M5 screws and 2mm thick NBR gasket. If installing on a gas tank, we recommend the optional 2mm thick FPM gasket.
- Protection rank : IP65

- For diesel, gasoline, and kerosene level detection;
- Supply voltage : 10~32V or 5V;
- Signal output : 0~5V, RS232 , RS485 , can be customized;
- Resolution $\leq 1\text{mm}$;
- Operational temperature : - 40 ~ +85°C.



Art. No.	Spec.	L(mm)	Butting Connector	Output Signal	Length Of Wire(Lc)	Material	Remark
JS67315	CLS2-600	600	Connector (Optional)	0~5V	600		Please choose the JS23110 calibrator according to actual needs.
JS67316	CLS2-700	700					
JS67319	CLS2-1000	1000					

* Can be customized according to your requirement.

Please contact us for more details.